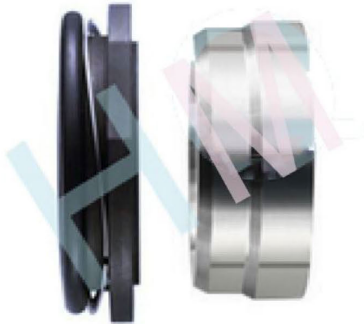


AL-30(W016U)



Type : Suit for Alfa Laval SRU Hyclean Pumps

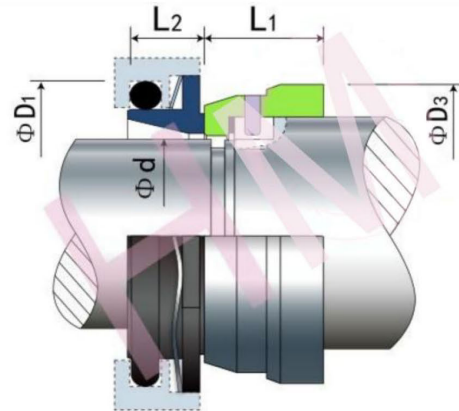
Replacement: AES W016U, Billi BB7K-AL2-NEU

Temperature: -20°C to +200°C

Pressure: $\leq 0.8\text{Mpa}$

Speed: $\leq 18\text{m/s}$

Material : B,A,Q1,Q2,U2,E,V,K,F,G,M



d (mm)	D1	D3	L1	L2
20	37.0	32.0	21.9	12.6
30	49.3	45.0	21.0	14.5
35	58.4	54.9	22.0	14.3
45	74.0	64.9	24.5	17.2
55	84.0	74.9	26.9	16.9
67	100.0	89.7	37.0	20.0

d (inch)	D1	D3	L1	L2
0.787	1.457	1.260	0.862	0.496
1.181	1.939	1.772	0.827	0.571
1.378	2.299	2.161	0.866	0.563
1.772	2.913	2.555	0.965	0.677
2.165	3.307	2.949	1.059	0.665
2.638	3.937	3.531	1.457	0.787

