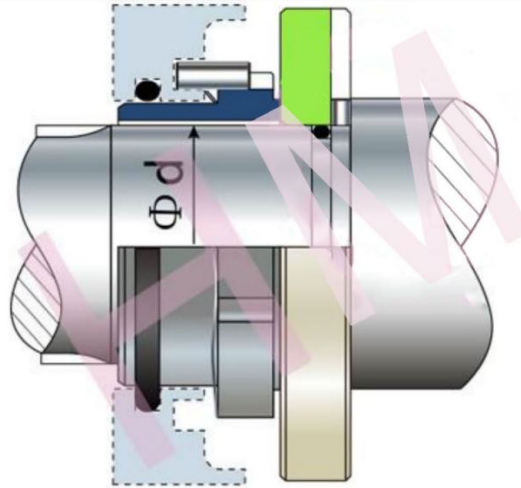


AL-32(W13U)

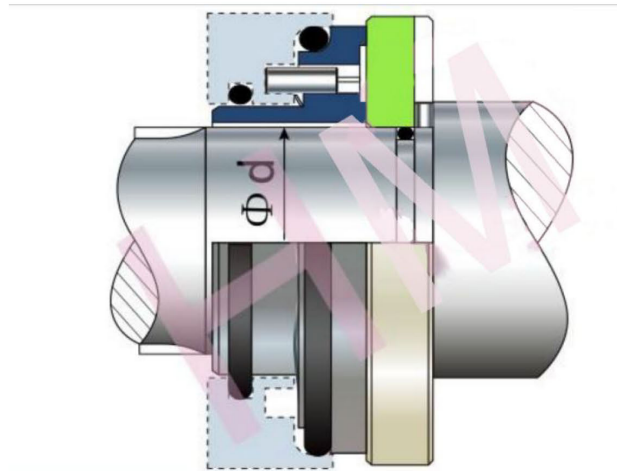


Type: Suit for Alfa Laval S CPP1 Pumps
 Replacement: AES W13
 Temperature: -20°C to $+140^{\circ}\text{C}$
 Pressure: $\leq 1.1\text{Mpa}$
 Speed: $\leq 10\text{m/s}$
 Material: B, A, Q1, Q2, U2, E, V, K, G, F, G, M5, T6

W13U Single Seal



W13U Double Seal



$d=30.10\text{mm}$, 38.10mm , 47.60mm , 69.80mm 。
 $1.185''$, $1.500''$, $1.875''$, $2.750''$ 。