

AL-34(M09)



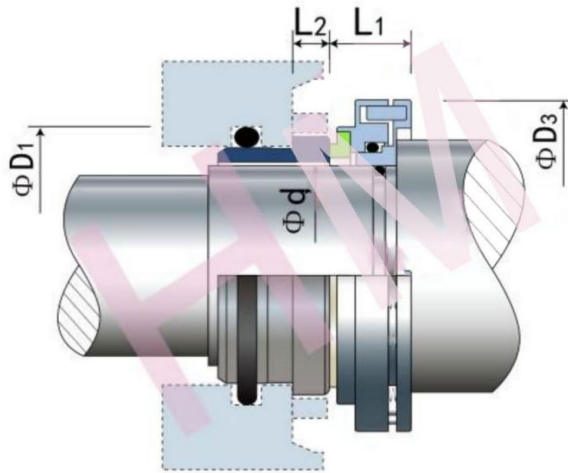
Type: Suit for Alfa Laval SCPP1 Pumps
Replacement: AES M09

Temperature: -20°C to +150°C

Pressure: ≤ 1.1 Mpa

Speed: ≤ 10 m/s

Material: B,A1,Q1,Q2,U2,P,E,N,V,F,G,Alfa



d (mm)	D1	D3	L1	L2
38.1	53.6	80.8	11.6	3.0
47.6	66.1	79.0	19.4	8.9
d (inch)	D1	D3	L1	L2
1.500	2.110	3.175	0.457	0.118
1.875	2.602	3.110	0.763	0.350

