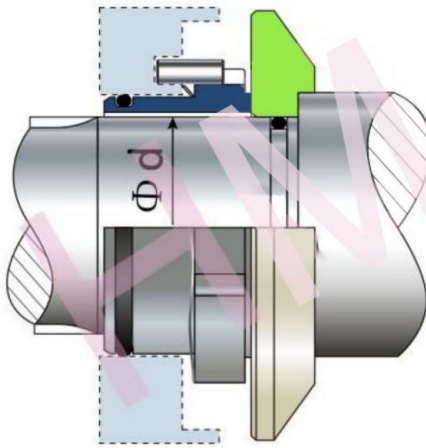


AL-33(W13SU)

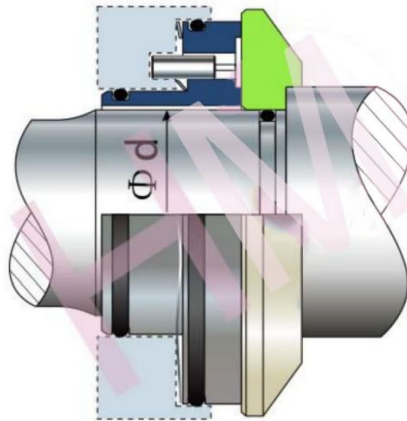


Type: Suit for Alfa Laval SCPP2 Pumps
 Replacement: AES W13 S
 Temperature: -20°C to +160°C
 Pressure: $\leq 1.2\text{Mpa}$
 Speed: $\leq 10\text{m/s}$
 Material: B, A, Q1, Q2, T, V, K, F, G, M

W13SU Single Seal



W13SU Double Seal



d=31.7mm , 41.2mm , 50.8mm , 69.8mm , 76.2mm。

1.250" , 1.625 , 2.000" , 2.750" , 3.000".

