

## AL-31(MOHCH)

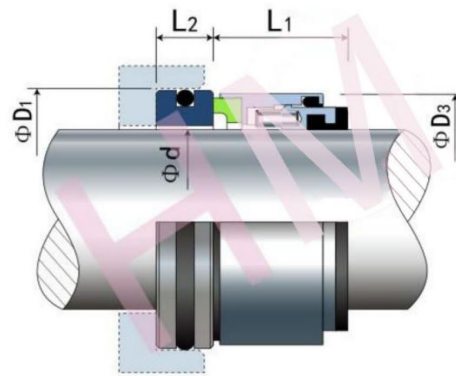
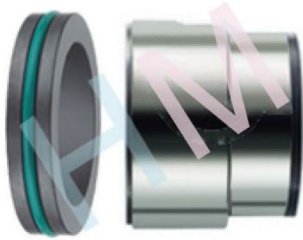
Type: Suit for ALFA LAVAL LKR-5 Pumps  
Replacement: AES MOHCH

Temperature: -40 to +150°C

Pressure :  $\leq 3.5$  Mpa

Speed:  $\leq 15$  m/s

Material : B, Q2, U2, P, E, N, V, F, G, Alfa



d (mm)	D1	D3	L1	L2
25	40.5	39.0	27	9.5
30	50.8	44.0	27	11.5
35	53.9	49.0	35	11.5
40	60.3	55.9	35	11.5
60	79.3	85.0	42	15.0

d (inch)	D1	D3	L1	L2
0.984	1.594	1.535	1.063	0.374
1.181	2.000	1.732	1.063	0.453
1.378	2.122	1.929	1.378	0.453
1.575	2.375	2.201	1.375	0.453
2.362	3.122	3.346	1.654	0.591

