

AL-35(M09S)



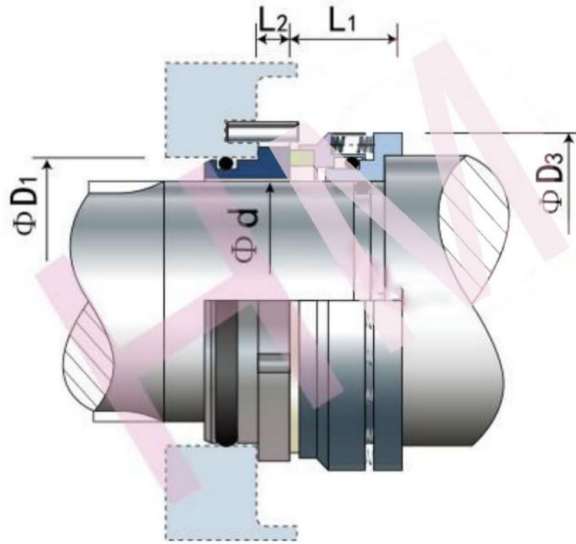
Type: Suit for Alfa Laval SCPP2 Pumps
Replacement: AES M09S

Temperature: -20°C to $+140^{\circ}\text{C}$

Pressure: $\leq 1.2\text{Mpa}$

Speed: $\leq 10\text{m/s}$

Material: B, A1, Q1, Q2, U2, P, E, N, V, F, G, Alfa



d (mm)	D1	D3	L1	L2
69.8	83.3	93.4	24	5.1
d (inch)	D1	D3	L1	L2
2.750	3.280	3.675	0.945	0.201

