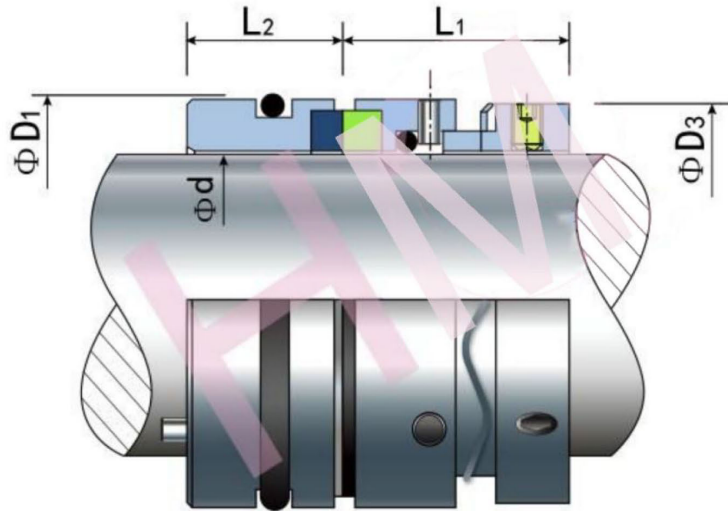


AL-19(1655)



Type: Suit for ALAFA LAVAL MOG,
ALP Lobe Pumps
Replacement: Vulcan 1655 , Billi BB55
Temperature: -20°C to +140°C
Pressure: ≤ 1.2 Mpa
Speed: ≤ 10 m/s
Material: A,Q1,Q2,U2,P,E,V,F,G



d (inch)	D1	D3	L1	L2
1.187	41.7	41.00	22.2	14.0
1.375	47.6	46.75	20.6	15.8
2.000	66.6	65.40	23.8	12.0
3.000	95.2	98.60	39.7	12.0

