

AL-19(1655)

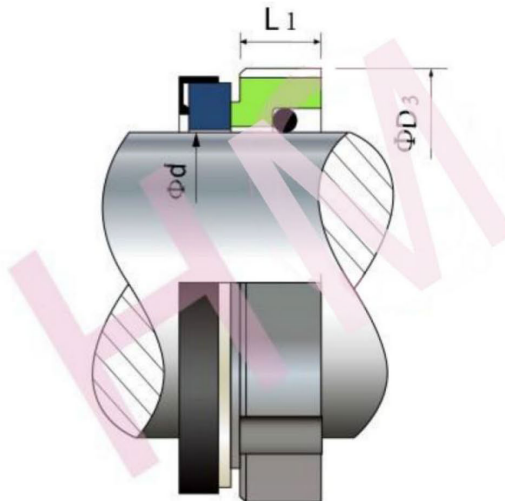


Type: Suit for Alfa Laval Tri-Clover Pumps
 Replacement: Vulcan 1628 , Billi BB93KIT
 Temperature: -20°C to +140°C

Pressure: $\leq 1.2\text{Mpa}$

Speed: $\leq 10\text{m/s}$

Material: B,A,Q1,Q2,E,N,V



d		D3		L1		O.E.M Seal Code
mm	inch	mm	inch	mm	inch	
44.45	1.75	79.38	3.125	10.32	0.406	2045, 2065, 2085, 2105

