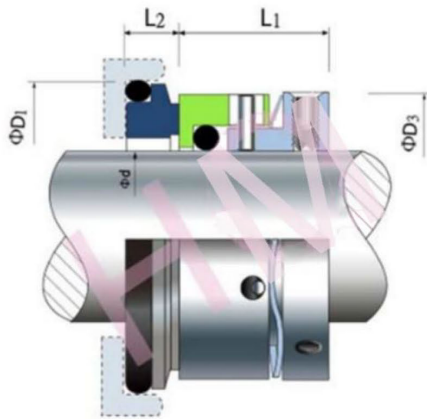


AL-38(W01)



Type: Suit for Alfa Laval SSP AP, GP, NDM and Johnson Pumps
 Replacement: AES W01
 Temperature: -20°C to +200°C
 Pressure: ≤0.8Mpa
 Speed: ≤18m/s
 Material: A,B,U1,U2,V,G,M5



hengmi@meseal.com

d (mm)	D1	D3	L1	L2
15.8	28.5	27.0	19.1	6.3
16.0	28.5	27.0	19.1	6.3
19.1	31.7	30.0	19.1	6.3
24.0	35.4	34.1	19.1	7.6
28.0	42.0	40.0	19.1	7.6
28.6	41.2	39.5	19.1	7.6
30.0	42.7	41.0	19.1	7.6
31.7	44.2	42.4	19.1	7.6
32.0	44.4	42.4	19.1	7.6
35.0	47.6	45.5	19.1	7.6
38.0	53.9	51.8	21.1	8.1
44.4	60.3	58.2	21.1	8.1
47.6	63.5	61.4	21.1	8.1
50.0	63.9	61.9	21.1	8.1
50.8	66.6	64.6	22.1	9.6
53.9	73.0	71.0	22.1	9.6
54.0	73.9	71.0	22.1	9.6
54.6	75.0	72.0	22.1	9.6
55.0	75.0	72.0	22.1	9.6
63.0	83.0	79.3	25.8	9.1
63.5	88.9	79.3	25.8	9.1
69.8	95.2	88.9	25.8	9.1
73.0	98.4	94.0	25.8	9.1
75.0	100.4	96.0	25.8	9.1