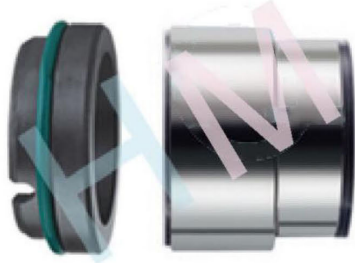
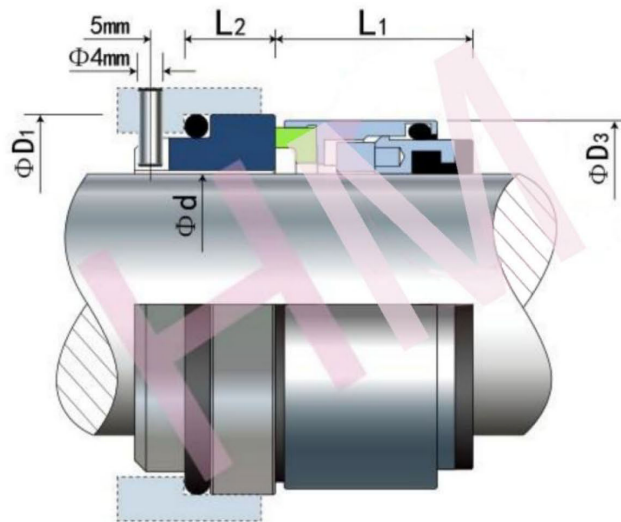


AL-39(M010X)



Type : Multi Spring Mechanical Seal, Suit for Alfa Laval ALC(D Series) Pumps
 Replacement: AES M010X
 Temperature: -20°C to +140°C
 Pressure: $\leq 2.5\text{Mpa}$
 Speed: $\leq 15\text{m/s}$
 Material : B,A1,Q1,Q2,U2,P,E,N,V,F,G,Alfa



d (mm)	D1	D3	L1	L2
40	58	55.8	30	14
53	73	68.5	33	15
d (inch)	D1	D3	L1	L2
1.575	2.286	2.197	1.181	0.551
2.087	2.874	2.697	1.299	0.591

