

AL-19(1655)



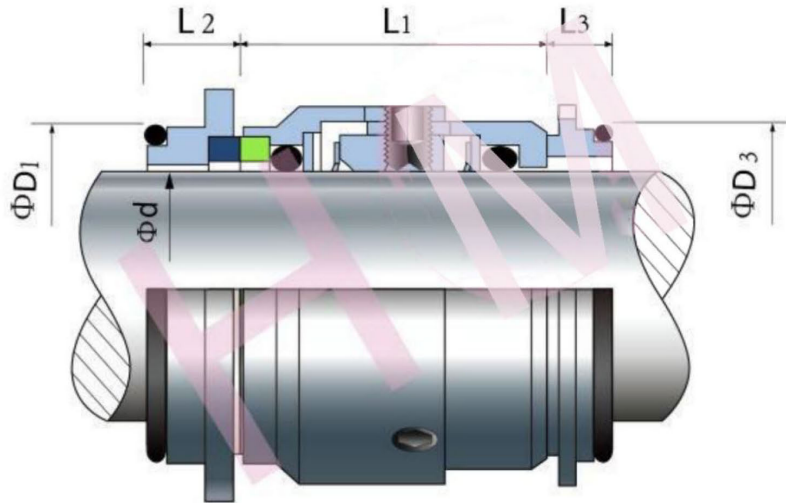
Type: Suit for Alfa Laval SR Lobe Rotor Pumps
Replacement: Vulcan 1694

Temperature: -45°C to $+150^{\circ}\text{C}$

Pressure: $\leq 3.5\text{Mpa}$

Speed: $\leq 15\text{m/s}$

Material: F,G,P,E,V



d (mm)	D1	L1	L2	L3
30	41.30	34.2	10.5	11.1
45	58.26	37.7	11.3	11.3
55	69.55	46.2	12.5	11.5
75	92.20	46.6	14.5	14.5

