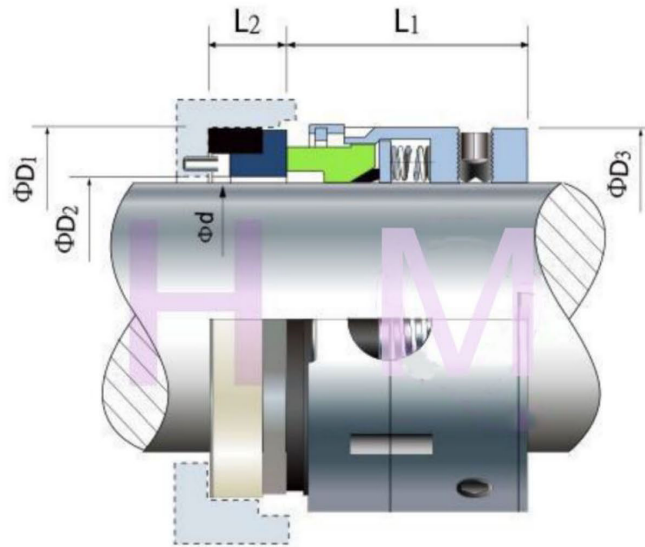


AL-40(9+23)

Type: Multi Spring Mechanical Seal
 Replacement: Vulcan 1645 , AES M05 , Crane 9-T
 Temperature: -40°C to +250°C
 Pressure: ≤1.2Mpa
 Speed: ≤15m/s
 Material: V1,Q1,Q2,U2,B,A,P,E,V,M1,M2,F,G,M



Size (Inch)	d	D3	D2	D1	L1	L2
0.500	12.7	23.80	13.4	25.40	23.80	7.9
0.625	15.8	26.97	16.6	31.75	23.80	10.3
0.750	19.0	30.15	19.7	34.93	23.80	10.3
0.875	22.2	33.32	22.9	38.10	23.80	10.3
1.000	25.4	36.50	26.1	41.28	25.40	11.1
1.125	28.5	39.67	29.3	44.45	25.40	11.1
1.250	31.7	42.85	32.4	47.63	25.40	11.1
1.375	34.9	49.20	35.6	50.80	34.93	11.1
1.500	38.1	49.20	38.8	53.98	28.58	11.1
1.625	41.2	57.15	42.4	60.33	29.36	12.7
1.750	44.4	58.72	45.5	63.50	34.93	12.7
1.875	47.6	63.50	48.7	66.68	34.93	12.7
2.000	50.8	66.68	51.9	69.85	34.93	12.7

