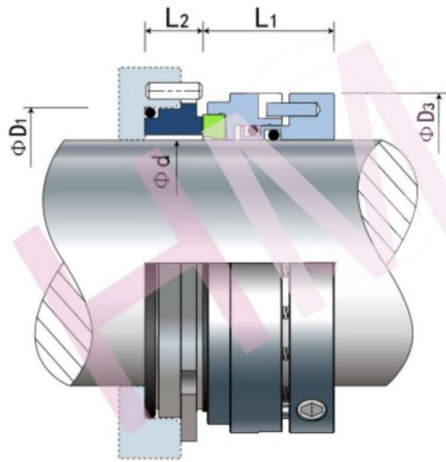


AL-41(W03SU)



Type: Suit Alfa Laval SRU,NMOG Pumps
 Replacement: AES W03SU
 Temperature: -40 to +250°C
 Pressure: $\leq 1.0\text{Mpa}$
 Speed: $\leq 18\text{m/s}$
 Material: B,Q2,U2,P,E,N,V,F,G,Alfa



hengmi@meseal.com

d (mm)	D1	D3	L1	L3
20	30.0	32.4	20.0	10.7
30	41.2	44.0	21.4	10.9
35	47.0	50.8	22.0	12.2
45	58.3	62.4	22.9	11.6
55	69.6	76.0	29.3	13.0
75	92.2	99.2	31.1	14.5

d (inch)	D1	D3	L1	L3
0.787	1.181	1.276	0.787	0.421
1.181	1.622	1.732	0.843	0.429
1.378	1.850	2.000	0.866	0.480
1.772	2.295	2.457	0.902	0.457
2.165	2.740	2.992	1.154	0.512
2.953	3.630	3.906	1.224	0.571