

AL-36(W03DU)



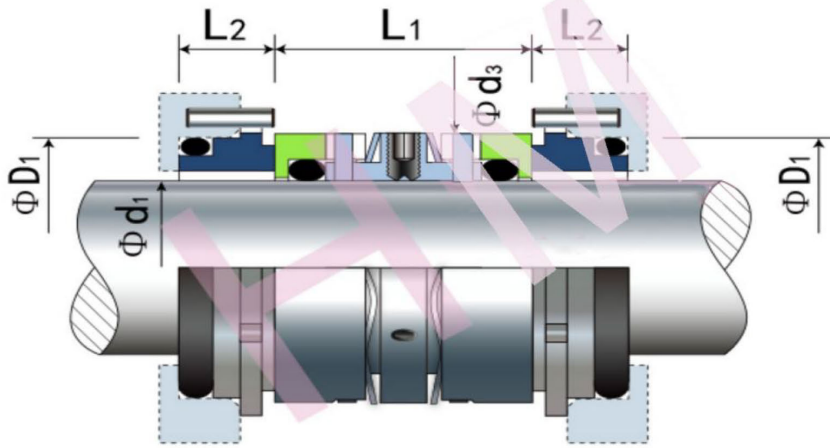
Type: Suit for Alfa Laval SRU,NMOG Pump
Replacement: AES W03DU,CRANE 87(EI/EC)

Temperature: -20°C to +200°C

Pressure: ≤ 1.0 Mpa

Speed: ≤ 10 m/s

Material: B,A1,Q1,Q2,U2,P,E,N,V,F,G,Alfa



d (mm)	D1	D3	L1	L2
30	41.2	41.0	31.2	10.9
35	47.0	45.5	31.3	12.2
45	58.3	58.2	35.3	11.6
55	69.6	72.0	43.7	13.0
75	92.2	96.0	46.6	14.5
d (inch)	D1	D3	L1	L2
1.181	1.622	1.614	1.228	0.429
1.378	1.85	1.791	1.224	0.480
1.772	2.295	2.291	1.389	0.457
2.165	2.740	2.835	1.720	0.512
2.953	3.630	3.780	1.835	0.571