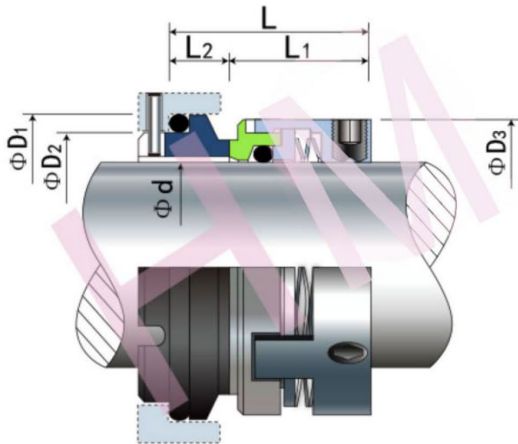


AWL-05(1677M)



Type: Suit Allweiler Pumps
 Replacement: Vulcan 1677M
 Temperature: -40 to +200°C
 Pressure: $\leq 2.5\text{Mpa}$
 Speed: $\leq 15\text{m/s}$
 Material: B,A1,Q1,Q2,U2,P,E,N,V,F,G,Alfa



hengmi@mesel.com

d (mm)	D1	D2	D3	L	L1	L2
14	25	21	24	35.0	25.0	10.0
16	27	23	26	35.0	25.0	10.0
18	33	27	32	37.5	26.0	11.5
20	35	29	34	37.5	26.0	11.5
22	37	31	36	37.5	26.0	11.5
24	39	33	38	40.0	28.5	11.5
25	40	34	39	40.0	28.5	11.5
28	43	37	42	42.5	31.0	11.5
30	45	39	44	42.5	31.0	11.5
32	48	42	46	42.5	31.0	11.5
33	48	42	47	42.5	31.0	11.5
35	50	44	49	42.5	31.0	11.5
38	56	49	54	45.0	31.0	14.0
40	58	51	56	45.0	31.0	14.0
43	61	54	59	45.0	31.0	14.0
45	63	56	61	45.0	31.0	14.0
48	66	59	64	45.0	31.0	14.0
50	70	62	66	47.5	32.5	15.0
53	73	65	69	47.5	32.5	15.0
55	75	67	71	47.5	32.5	15.0
58	78	70	78	52.5	37.5	15.0
60	80	72	80	52.5	37.5	15.0
63	83	75	83	52.5	37.5	15.0
65	85	77	85	52.5	37.5	15.0
68	90	81	88	52.5	34.5	18.0
70	92	83	90	60.0	42.0	18.0
75	97	88	99	60.0	42.0	18.0
80	105	95	104	60.0	41.8	18.2
85	110	100	109	60.0	41.8	18.2
90	115	105	114	65.0	46.8	18.2
95	120	110	119	65.0	47.8	17.2
100	125	115	124	65.0	47.8	17.2