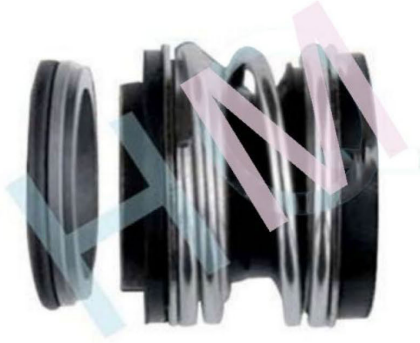
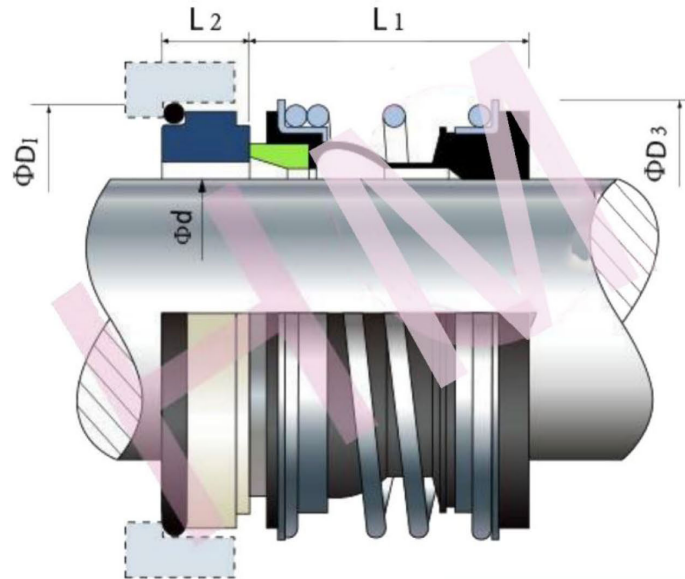


AWL-03(198)



Type: Allweiler and Andritz "S" Series Centrifugal Pump Seals
 Replacement: Vulcan 198
 Temperature: -20°C to +120°C
 Pressure : ≤1.0Mpa
 Speed: ≤15m/s
 Material: B,A1,Q1,Q2,U2,P,E,N,V,F,G



d (mm)	D1	D3	L1	L2
38	56	57.3	36.0	9
48	66	69.0	36.0	9
53	73	76.0	36.5	11
65	85	90.0	41.5	11
90	115	126.0	51.0	14

