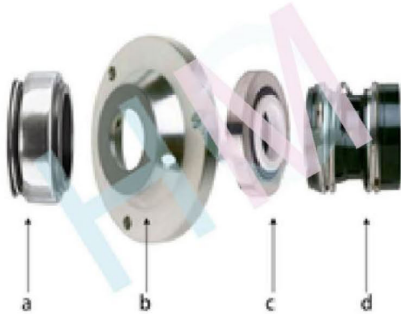
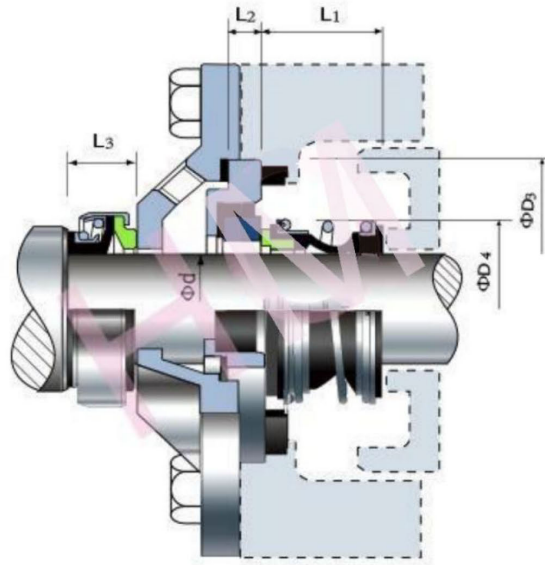


APV-02A(BP06)



Type : Suit for APV PUMA Pumps
 Replacement : AES BP06, Vulcan 26
 Temperature : -20°C to +140°C
 Pressure : $\leq 3.0\text{Mpa}$
 Speed : $\leq 10\text{m/s}$
 Material : B,F,G,Q2,V,F,P



d (inch)	d(mm)	D3	D4	L1	L2	L3
1.000	25.4	68.2	41.2	25.4	7.8	14
1.500	38.1	80.1	55.7	33.3	9.0	17

