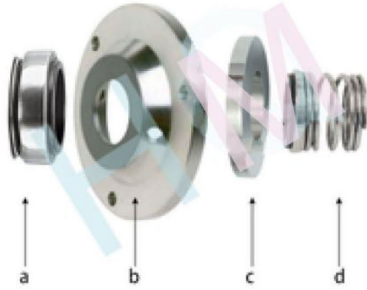


APV-01A(P06)



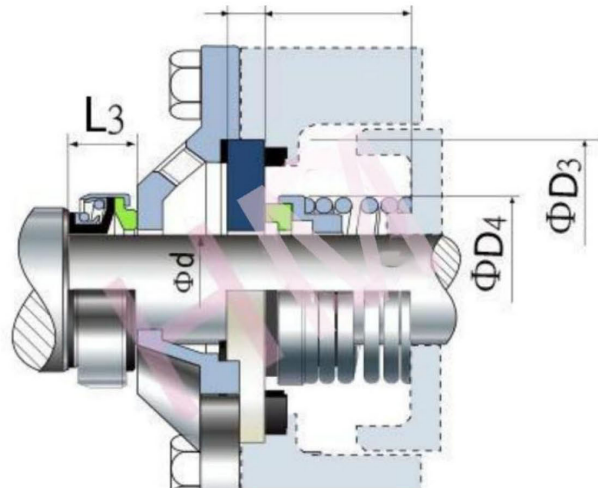
Type: Suit for APV PUMA Pumps
 Replacement: AES P06 , Vulcan 26 , Crane ROSR,
 Roten 37, Flowerve APU

Temperature : -20°C to +140°C

Pressure : ≤ 3.0 Mpa

Speed : ≤ 5 m/s

Material : B,F,G,Q2,V,F,P



d (inch)	d (mm)	D3	D4	L1	L2	L3
1.000	25.4	68.2	41.2	25.4	7.8	14
1.500	38.1	80.1	55.7	33.3	9.0	17

