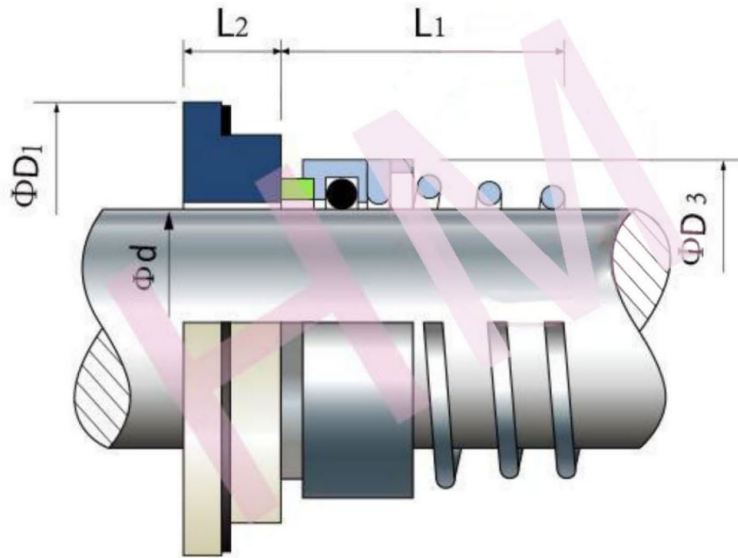


AWL-02(8X)



Type : Allweiler SOB and SOH series Pumps Seal
 Replacement: Vulcan 8X
 Temperature : -20°C to +120°C
 Pressure : $\leq 1.0\text{Mpa}$
 Speed : $\leq 15\text{m/s}$
 Material : B,A1,Q1,Q2,U2,P,E,N,V,F,G



d (mm)	D1	D3	L1	L2
22	44	33	21.5	11.25

