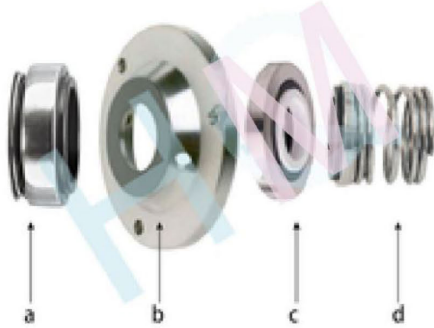
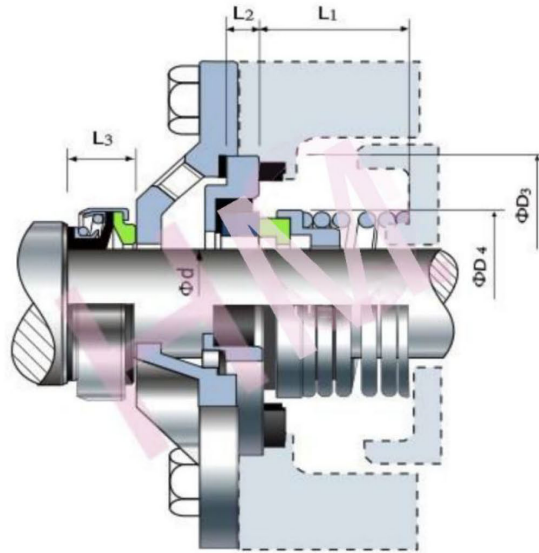


# APV-01B(P06)



Type: Suit for APV PUMA Pumps  
 Replacement: AES BP06, Vulcan 26  
 Temperature:  $-20^{\circ}\text{C}$  to  $+140^{\circ}\text{C}$   
 Pressure:  $\leq 3.5\text{Mpa}$   
 Speed:  $\leq 5\text{m/s}$   
 Material : B,F,G,Q2,V,F,P



d (inch)	d (mm)	D3	D4	L1	L2	L3
1.000	25.4	68.2	41.2	25.4	7.8	14
1.500	38.1	80.1	55.7	33.3	9.0	17

