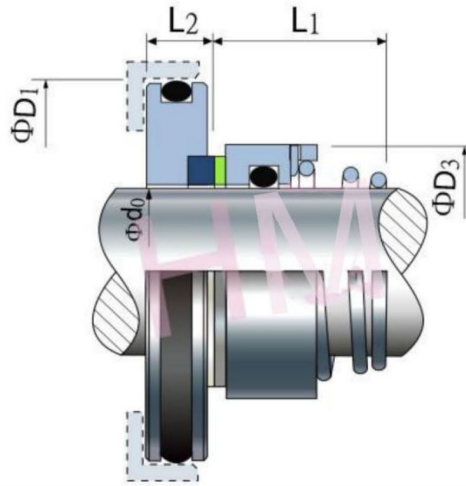


# AWL-01(8W)



Type: Allweiller SPF10 and SPF20 Pumps Seal  
 Replacement: Vulcan 8W, AES T01A, Billi BB23,  
 Burgmann Special  
 Temperature: -20 to +150°C  
 Pressure:  $\leq 1.4\text{Mpa}$   
 Speed:  $\leq 10\text{m/s}$   
 Material : B, Q2, U2, P, E, N, V, F, G, Alfa



d	D1	D3	L1	L2
15	38	24	15.0	8.0
20	45	31	19.5	8.5
0.591	1.496	0.945	0.591	0.315
0.787	1.772	1.220	0.768	0.335

