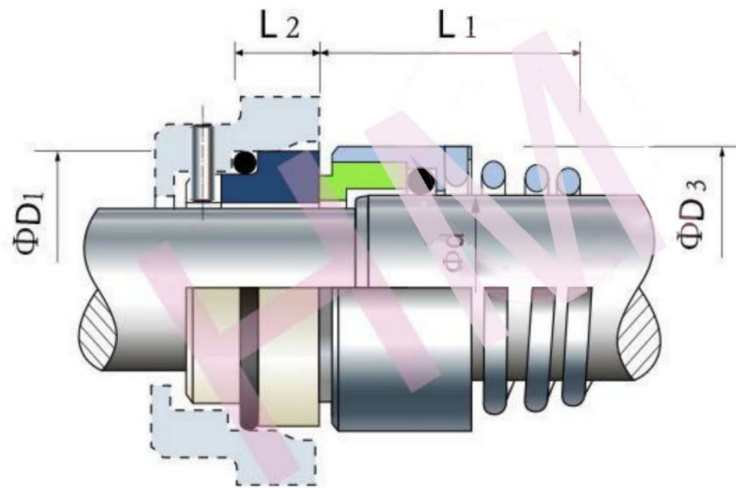


AWL-04(82A)



Type: Allweiler L and LV series Pumps Seal
 Replacement: Vulcan 82A
 Temperature: -20°C to +120°C
 Pressure: $\leq 1.0\text{Mpa}$
 Speed: $\leq 15\text{m/s}$
 Material: B,A1,Q1,Q2,U2,P,E,N,V,F,G



d (mm)	D1	D3	L1	L2
28	43	46	39.5	8.5
30	45	49	39.5	9.0
45	63	66	55.0	9.0

