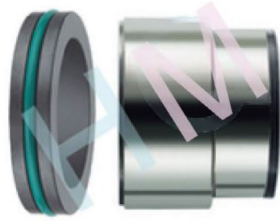


APV-10(MOHCH)



Type: Suit for APV RCN Pump

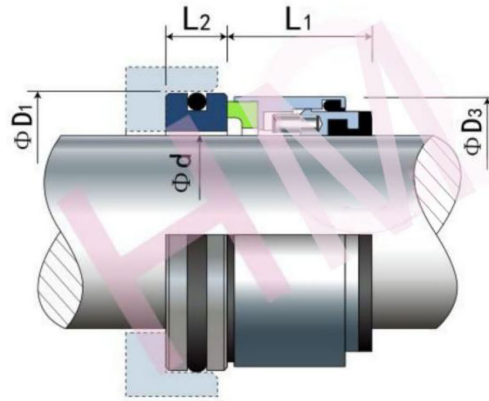
Replacement: AES MOHCH

Temperature : -40°C to +180°C

Pressure : ≤ 2.5 Mpa

Speed: ≤ 15 m/s

Material : Q2,V2,F,G,TEFLON



d (mm)	D1	D3	L1	L2
25	40.5	39.0	27	9.5
30	50.8	44.0	27	11.5
35	53.9	49.0	35	11.5
40	60.3	55.9	35	11.5
60	79.3	85.0	42	15.0

d (inch)	D1	D3	L1	L2
0.984	1.594	1.535	1.063	0.374
1.181	2.000	1.732	1.063	0.453
1.378	2.122	1.929	1.378	0.453
1.575	2.375	2.201	1.375	0.453
2.362	3.122	3.346	1.654	0.591

