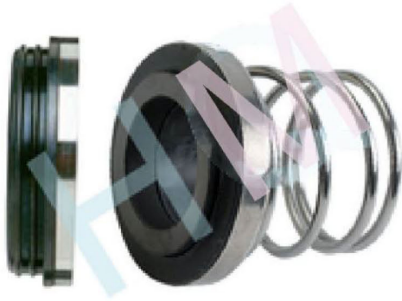
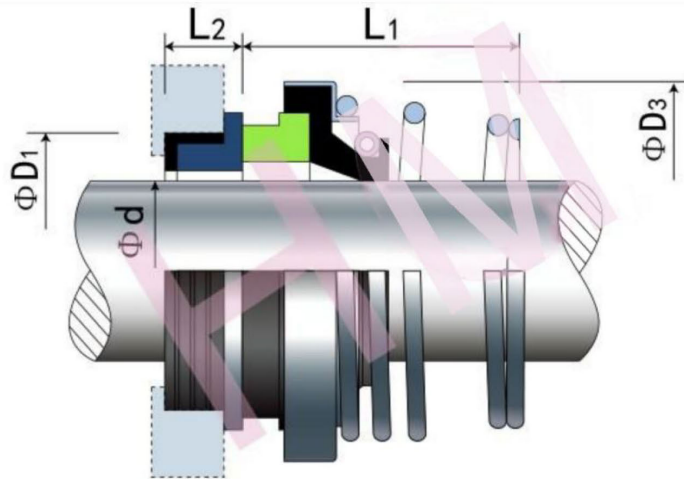


APV-04(TOR)



Type: Suit for APV ZMA,ZMB,ZMD,ZMH,ZMK and ZMS Pumps
 Replacement: AES TOR,Vulcan 29,Roten L/P/3P
 Temperature: -40°C to +180°C
 Pressure: $\leq 0.8\text{Mpa}$
 Speed: $\leq 15\text{m/s}$
 Material : Q2,F,B,P,E,V,G



d (mm)	D1	D3	L1	L2	O.E.M Pump Model
20	30	40.6	30	9.8	ZMA,ZMB,ZMH1&2,ZMK1&2
25	35	45.4	31	9.8	ZMS3,ZMS4
30	42	57.0	40	13.0	ZMH4, ZMK3, ZMD

