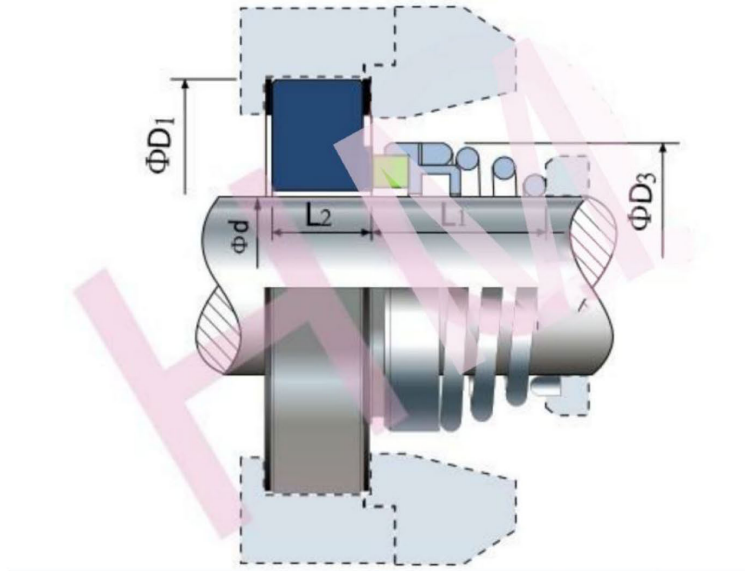


APV-06(TOW)



Type : Suit for APV W Pumps, single seal
 Replacement: AES TOW, Vulcan 16, Flowerve AWS
 Temperature: -40°C to +180°C
 Pressure: $\leq 0.8\text{Mpa}$
 Speed: $\leq 15\text{m/s}$
 Material : Q2, F, B, P, E, V, G



d (mm)	D1	D3	L1	L2
25	52.0	38.2	16	25.4
35	62.5	49.5	16	33.3

