

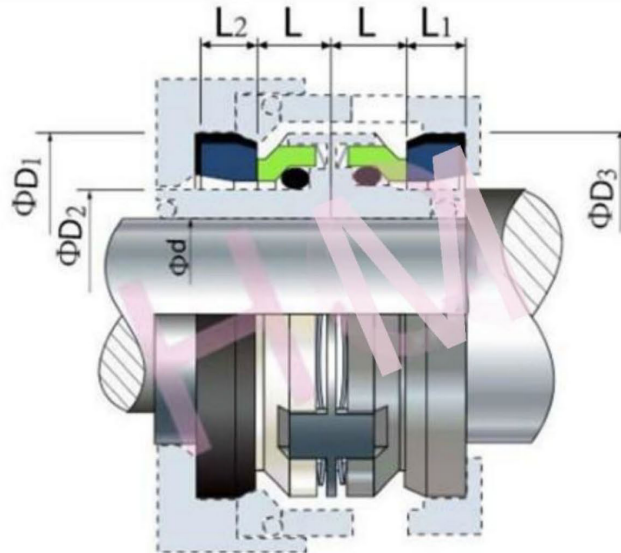
APV-12(W010)



Type: Wave Spring Mechanical Seal. Suit for A. P. V.
Clean Line(Howard
CLO,CL1,CL2,CL3,MC1,MC2,MC3)
Pumps

Replacement: AES W010
Temperature: 0 to +150°C
Pressure: ≤ 2.5 Mpa
Speed: ≤ 10 m/s

Material : B, Q2, U2, P, E, N, V, F, G, Alfa



d (inch)	d (mm)	D1	D3	L	L1/L2
1.125	28.6	42	41.20	7.7	7.7
1.875	47.6	66	63.50	8.3	9.0
2.125	53.9	74	73.03	9.3	12.3

