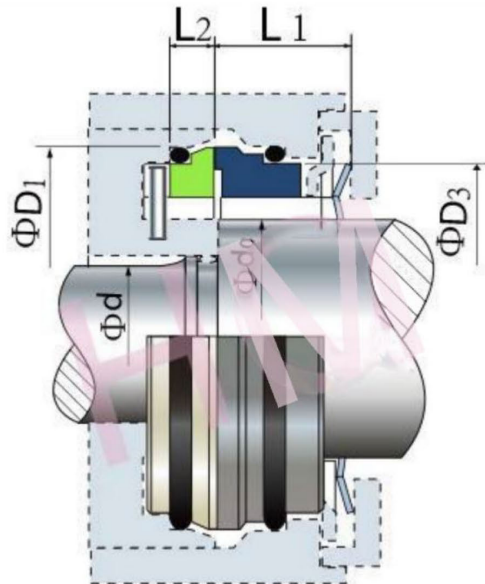


APV-14(TOWDW)



Type: Suit for APV DW Lobe Rotor Pumps
 Replacement: AES TOWDW, Vulcan 297
 Temperature: -40°C to +180°C
 Pressure: $\leq 0.8\text{Mpa}$
 Speed: $\leq 15\text{m/s}$
 Material: B, Q2, V, P, E



d (mm)	D1	D3	L1	L2	O.E.M(Model)
28	40	32	8.5	13.5	DW1
38	50	41	8.5	13.5	DW2
48	59	50	9.0	14.5	DW3
58	68	59	9.0	14.5	DW4

