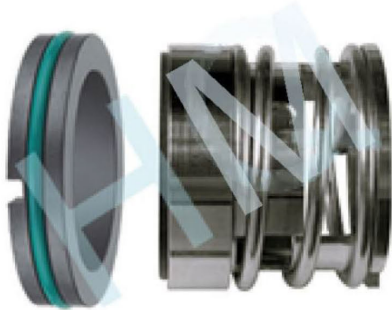
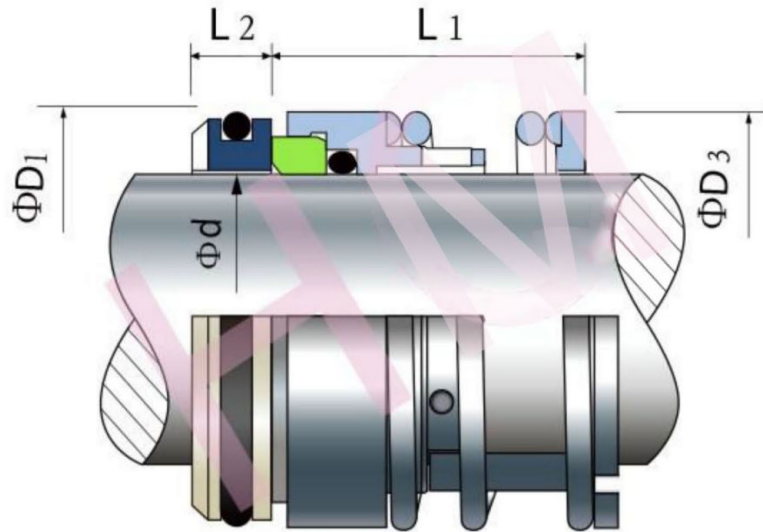


# APV-16(962)



Type: Suit for Wild Indag Mixer Pumps  
 Replacement: Vulcan 962  
 Temperature:  $-45^{\circ}\text{C}$  to  $+150^{\circ}\text{C}$   
 Pressure:  $\leq 5.0\text{Mpa}$   
 Speed:  $\leq 5\text{m/s}$   
 Material: B,A1,Q1,Q2,U2,P,E,N,V,F,G



d (inch)	D1	D3	L1	L2
1.187	41.20	39	25.4	11.3
1.500	49.21	49	36.5	8.0
1.875	60.3	60	38.1	7.7

