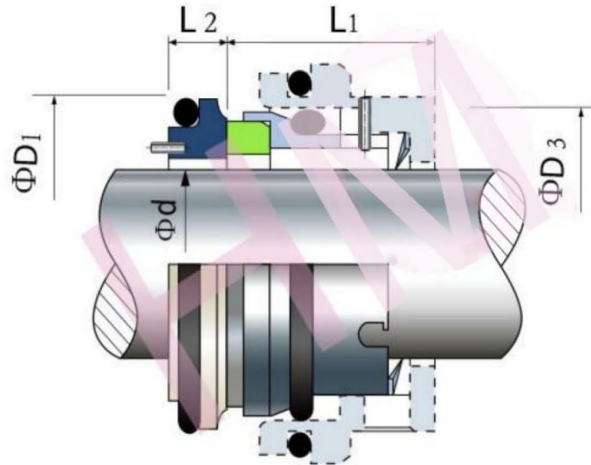


APV-26(295)



Type: Suit for A.P.V. Pasilac Rosista
ZM-series Pumps
Replacement: Vulcan 295
Temperature: -45°C to +150°C
Pressure : ≤ 5.0 Mpa
Speed: ≤ 5 m/s
Material: B,A1,Q1,Q2,U2,P,E,N,V,F,G



d (inch)	D1	D3	L1	L2	O.E.M Pump Model
1.875	63.5	63.5	23.0	7.9	ZMS 5
2.125	73.0	73.0	26.4	7.9	ZMS 6

