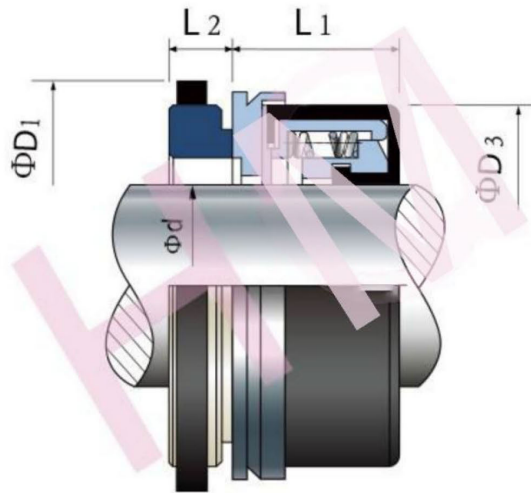


# APV-22(1644)



Type: Suit for Common Positive Displacement Pumps  
 Replacement: Vulcan 1644  
 Temperature: -45°C to +150°C  
 Pressure :  $\leq 8.0\text{Mpa}$   
 Speed:  $\leq 18\text{m/s}$   
 Material : B,A1,Q1,Q2,U2,P,E,N,V,F,G



d (inch)	d	D1	D3	L1	L2
1.500	38.10	65.00	75.70	33.33	14.00

