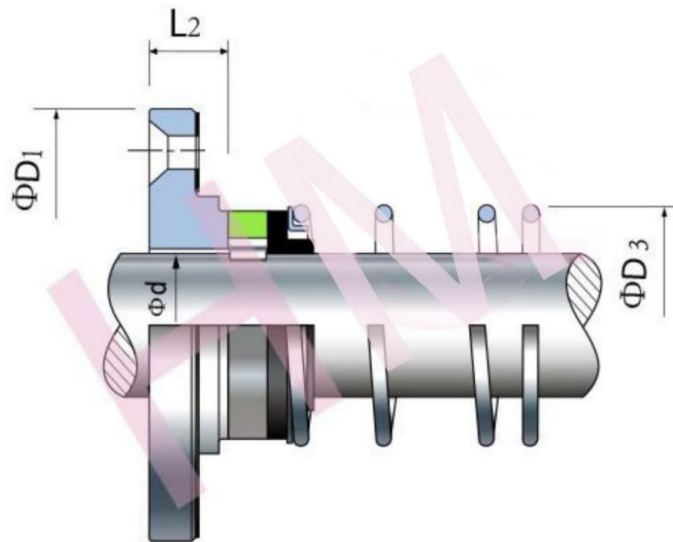


APV-21(272)



Type: Suit for APV Former D.D.M.M
Kolding and Pasilic Centrifugal Pumps
Replacement: Vulcan 272
Temperature: -45°C to +150°C
Pressure: $\leq 5.0\text{Mpa}$
Speed: $\leq 5\text{m/s}$
Material: B, A1, Q1, Q2, U2, P, E, N, V, F, G



d (mm)	D1	D3	L2
20.00	35.00	75.00	14.00
25.00	40.00	75.00	14.00

