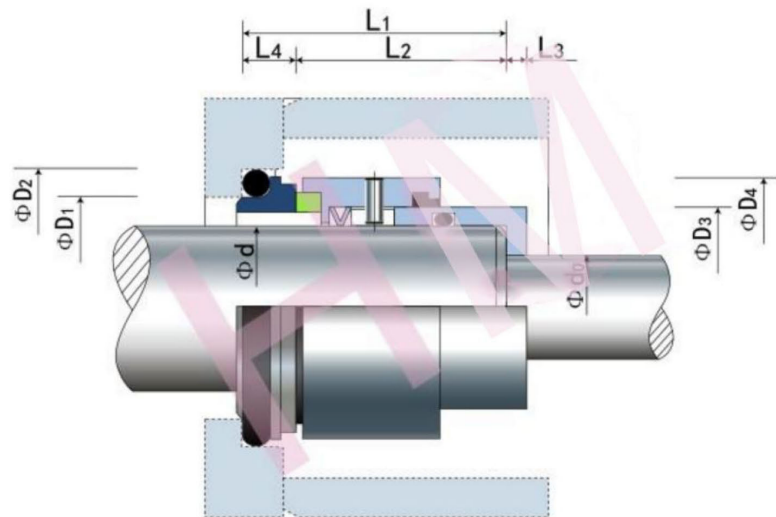


AD-01



Type: Addritz,Sulzer Pump Seal
 Replacement: Burgmann AK5M
 Temperature: $\leq 150^{\circ}\text{C}$
 Pressure : $\leq 0.60\text{Mpa}$
 Speed: $\leq 1600\text{r/min}$
 Material : Q1,Q2,A,B,U1,U2,P,E,V,T,F,G,T2,M5



*** Product description:**

Single component mechanical seal for replacement Andritz pump application.

