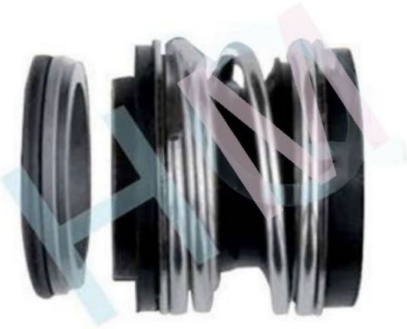
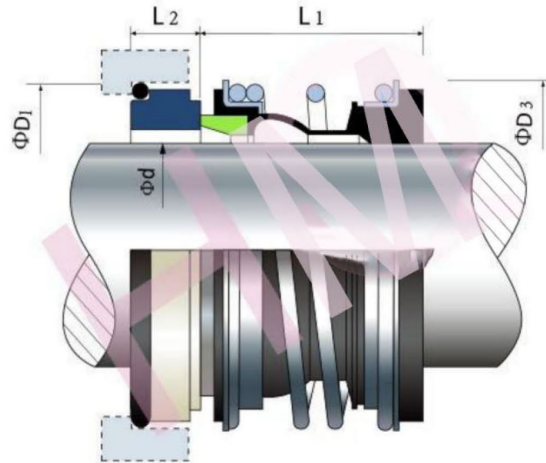


AWL-03(198)



Type: Allweiler and Andritz "S" Series
Centrifugal Pump Seals
Replacement: Vulcan198
Temperature: -20°C to +120°C
Pressure: $\leq 1.0\text{Mpa}$
Speed: $\leq 15\text{m/s}$
Material : B,A1,Q1,Q2,U2,P,E,N,V,F,G



d (mm)	D1	D3	L1	L2
38	56	57.3	36.0	9
48	66	69.0	36.0	9
53	73	76.0	36.5	11
65	85	90.0	41.5	11
90	115	126.0	51.0	14

