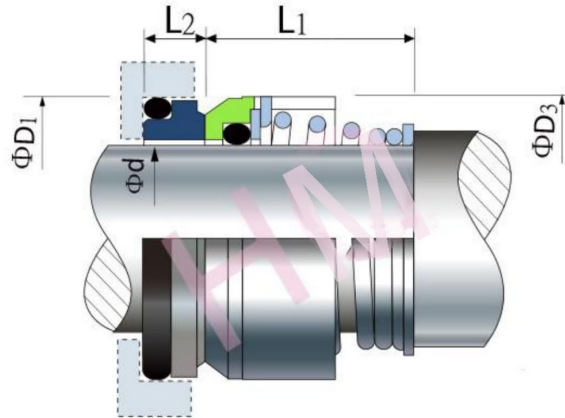


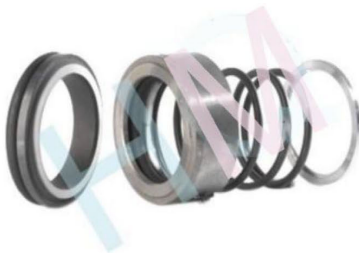
CO-SA1



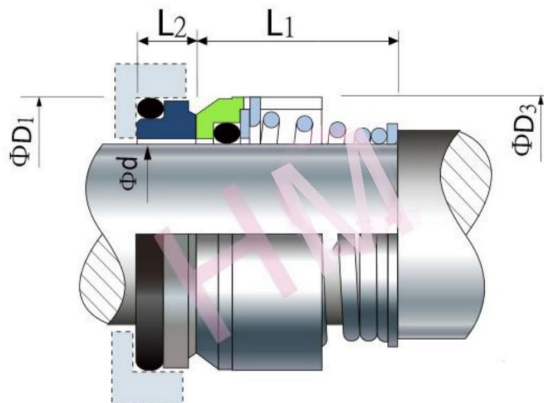
Type: Suit SABROE SMC 4-65,6-65,8-65 and 10-65(MK1) Compressors
 Replacement: AES SAB-50, Billi SAB 3
 Temperature: 50°C to +200°C
 Pressure: $\leq 1\text{Mpa}$
 Speed: $\leq 20\text{m/s}$
 Material: B,A1,Q1,Q2,U2,P,E,N,V,F,G



CO-SA2



Type: Suit SABROE SMC 4,6,8,12 and 16-100(Mk1) Compressors,SABROE SMC 104,106,108,112 and 116(Mk2) Compressors,SABROE TSMC 8,16-100(Mk1) and 108,116(Mk2) Compressors
 Replacement: AES SAB-75B, Billi SAB 4
 Temperature: 50°C to +200°C
 Pressure: $\leq 1.0\text{Mpa}$
 Speed: $\leq 20\text{m/s}$
 Material: B,A1,Q1,Q2,U2,P,E,N,V,F,G



hengmi@meseal.com