

## CO-SA4



Type: Suit SABROE CMO 24,26 and 28(Mk2) Compressors,SABROE HPO 24,26 and 28(Mk2) Compressors,SABROE TCMO 24,26 and 28(Mk2) Compressors

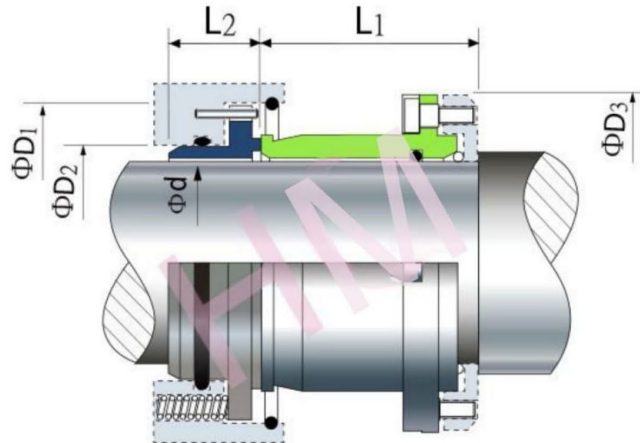
Replacement: AES SAB-55, Billi SAB

Temperature: -20°C to +180°C

Pressure:  $\leq 2.5\text{Mpa}$

Speed:  $\leq 15\text{m/s}$

Material: B,A1,Q1,Q2,U2,P,E,N,V,F,G



## CO-SA5



Type: Suit SABROE HPC 104,106 and 108(Mk3 and 4) Compressors,SABROE SMC 104,106,108,112 and 116 (Mk3 and 4) Compressors,SABROE TCMC 108 and 116 (Mk3 and 4) Compressors

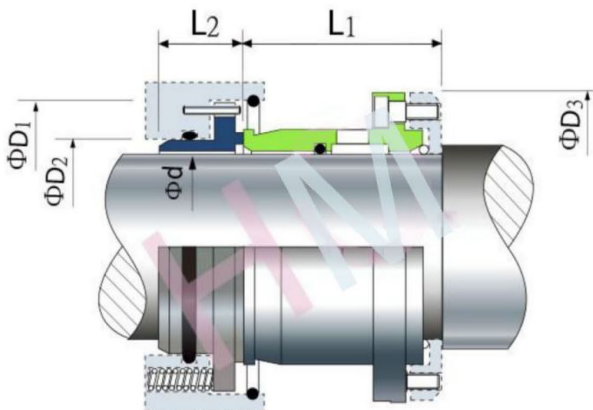
Replacement: AES SAB-75, Billi SAB 6

Temperature: -20°C to +180°C

Pressure:  $\leq 2.5\text{Mpa}$

Speed:  $\leq 15\text{m/s}$

Material: B,A1,Q1,Q2,U2,P,E,N,V,F,G



[hengmi@mesel.com](mailto:hengmi@mesel.com)