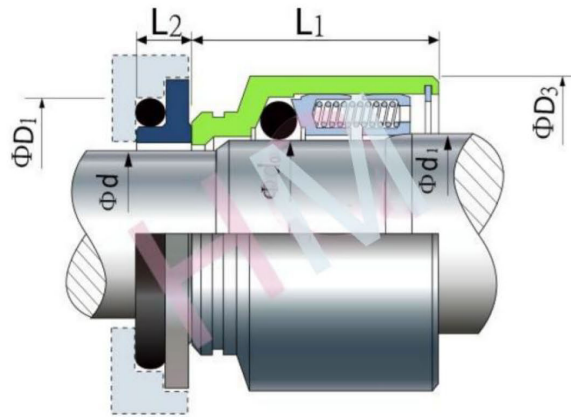


CO-SA6



Type: Suit SABRORE CMO14,16and 18(MK1)
Compressors
Replacement: AES SAB-52, Billi STAL 7
Temperature: -20°C to +180°C
Pressure: $\leq 2.5\text{Mpa}$
Speed: $\leq 15\text{m/s}$
Material: B,A1,Q1,Q2,U2,P,E,N,V,F,G



CO-SA7



hengmi@mesel.com



Type: Suit SABROE SAB 163 Compressors
Temperature: -25 to +150°C
Pressure: $\leq 2.5\text{Mpa}$
Speed: $\leq 15\text{m/s}$
Material: B,Q2,U2,P,E,N,V,F,G,Alfa

