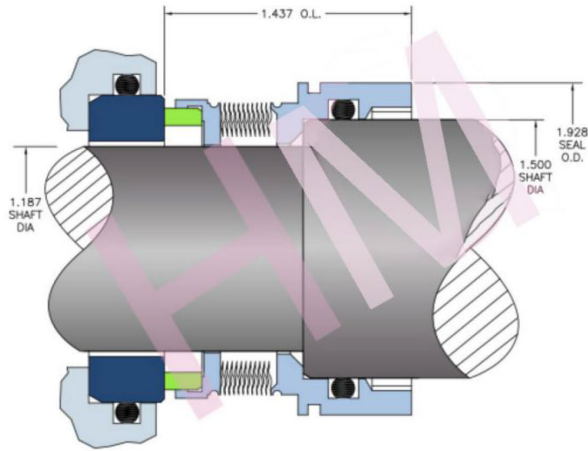


CO-TMK-01



Type: Suit Thermo King 22-1101 Compressors
 Temperature: -75 to +200°C
 Pressure: ≤ 2.0 Mpa
 Speed: ≤ 23 m/s
 Material: Q1,Q2,U2,T,V,M1,F,G,M



CO-TMK-02



Type: Suit Thermo King 22-751 Compressors
 Temperature: -75 to +200°C
 Pressure: ≤ 2.0 Mpa
 Speed: ≤ 23 m/s
 Material: Q1,Q2,U2,T,V,M1,F,G,M

