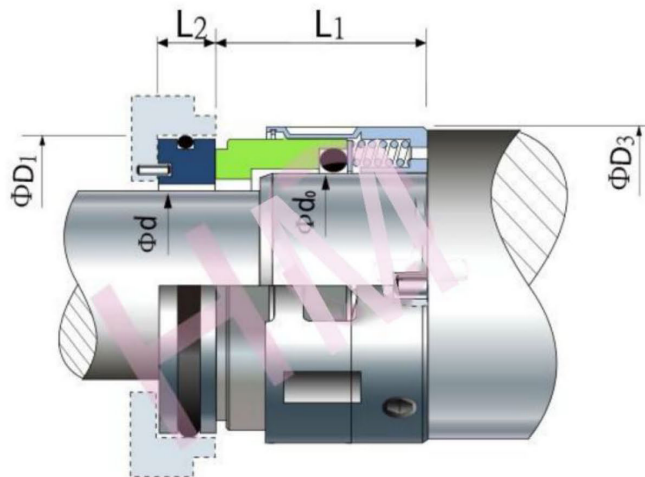


CO-HO 4



Type: Suit Howden WRV204 MK5 Compressors
 Replacement: AES M02S7, Billi HOW 3
 Temperature: -20°C to $+180^{\circ}\text{C}$
 Pressure: $\leq 2.5\text{Mpa}$
 Speed: $\leq 15\text{m/s}$
 Material: B,A1,Q1,Q2,U2,P,E,N,V,F,G



CO-HO 5



Type: Suit Howden WRV-H Screw Compressors
 Temperature: -20 to $+220^{\circ}\text{C}$
 Pressure: $\leq 2.5\text{Mpa}$
 Speed: $\leq 15\text{m/s}$
 Material: Q1,Q2,U2,T,V,M1,F,G,M

