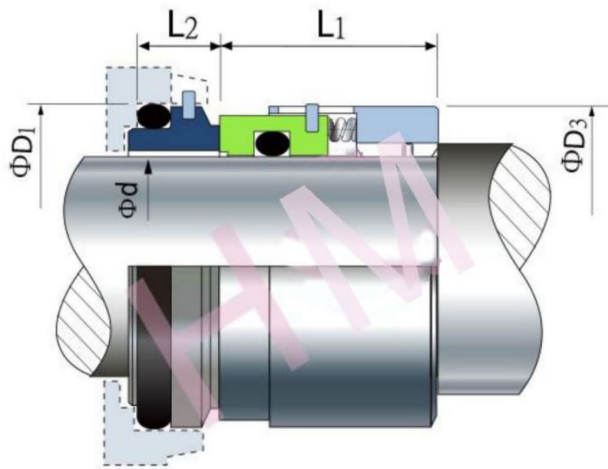


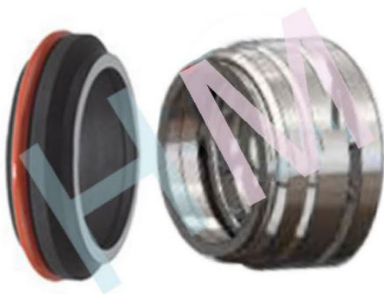
CO-GR1



Type: Suit Grasso RC11 Compressors
 Replacement: AES MOG, Billi GRA
 Temperature: -20°C to $+180^{\circ}\text{C}$
 Pressure: $\leq 2.5\text{Mpa}$
 Speed: $\leq 15\text{m/s}$
 Material: B,A1,Q1,Q2,U2,P,E,N,V,F,G



CO-GR2



Type: Suit Grasso Pumps
 Replacement: Lidering GS-MS-65
 Temperature: -25 to $+150^{\circ}\text{C}$
 Pressure: $\leq 1.4\text{Mpa}$
 Speed: $\leq 10\text{m/s}$
 Material: B,A1,Q1,Q2,U2,P,E,N,V,F,G,Alfa

Equal to Lidering GS-MS-65

Suit Grasso Pumps

d=65mm



hengmi@mesal.com