

HMMG1/MG12/MG13/MGS20



Type: Elastomeric bellow mechanical seal, Suit for Grundfos, Hilge Pumps

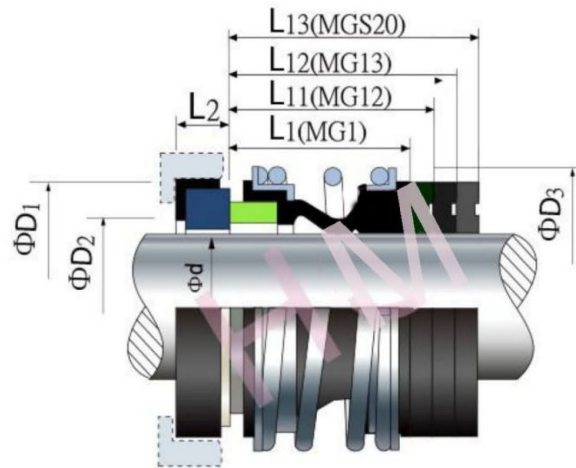
Replacement: Burgmann MG1/12/13/S20, AES B02/B012/B01, Vulcan 191/192/193, Roten L3/L3K/L3N, Flowserve 190/192/193

Temperature : -20°C to +120°C

Pressure : ≤ 1 Mpa

Speed: ≤ 15 m/s

Material : V, Q1, Q2, U2, U1, B, A, P, E, V, F, G



Siz (mm)	d	D3	D2	D1	L1	L11	L12	L13	L2
10	10	22.5	17	21	14.5	25.9	33.4	25	6.6
12	12	25.0	19	23	15.0	25.9	33.4	25	6.6
14	14	28.5	21	25	17.0	28.4	33.4	25	6.6
15	15	28.5	-	-	17.0	28.4	33.4	25	-
16	16	28.5	23	27	17.0	28.4	33.4	25	6.6
18	18	32.0	27	33	19.5	30.0	37.5	25	7.5
19	19	37.0	-	-	21.5	30.0	37.5	25	-
20	20	37.0	29	35	21.5	30.0	37.5	25	7.5
22	22	37.0	31	37	21.5	30.0	37.5	25	7.5
24	24	42.5	33	39	22.5	32.5	42.5	25	7.5
25	25	42.5	34	40	23.0	32.5	42.5	25	7.5
28	28	49.0	37	43	26.5	35.0	42.5	33	7.5
30	30	49.0	39	45	26.5	35.0	42.5	33	7.5

