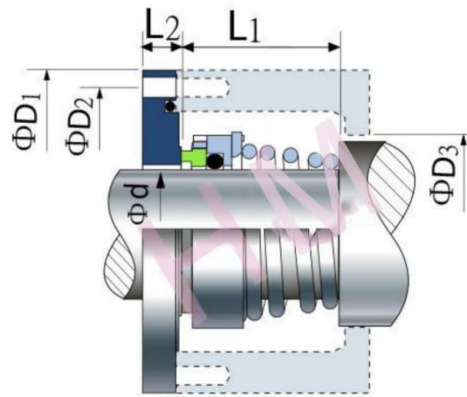


## CO-TOC



Type: Suit Copeland 4CC,6CC and 8CC  
Compressors  
Replacement: AES TOC, Billi COP  
Temperature: 50°C to +200°C  
Pressure:  $\leq 1\text{Mpa}$   
Speed:  $\leq 20\text{m/s}$   
Material: B,A1,Q1,Q2,U2,P,E,N,V,F,G



## CO-TOC



Type: Suit Carrier 5H40 Compressor  
Temperature: -25 to +150°C  
Pressure:  $\leq 1.0\text{Mpa}$   
Speed:  $\leq 20\text{m/s}$   
Material: Q1,Q2,Graphite,V,M5,M6,G

