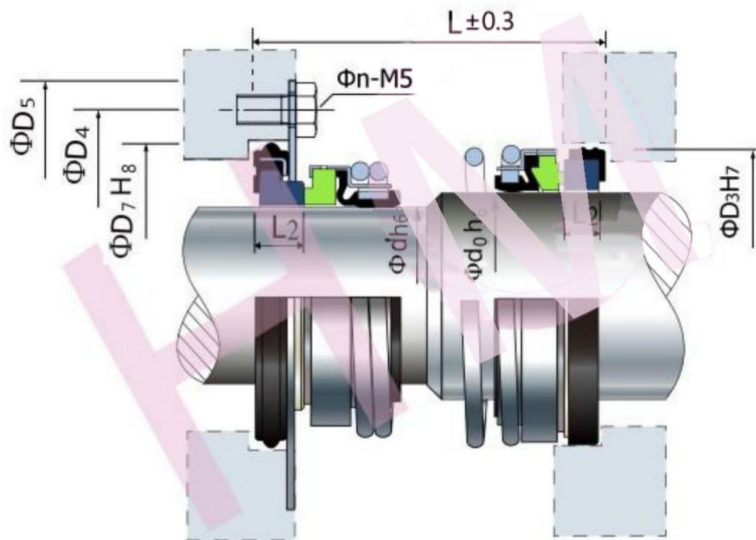


TS-01



Type: Suit for TSURUMI Pumps
 Replacement: Lidering TS-H2530/3035
 Temperature: -40°C to $+150^{\circ}\text{C}$
 Pressure : $\leq 0.8\text{Mpa}$
 Speed: $\leq 10\text{m/s}$
 Material : B,A1,Q1,Q2,U2,P,E,N,V,F,G



Size (mm)	d	d0	D3	D4	D5	D7	L	L2	n-M5
20F	20	20	38	56	68	44	49.5	7.5	4-M5
25/30	25	30	50	62	76	50	54.0	8.0	4-M5
30/35	30	35	58	72	95	57	62.0	9.0	6-M5
35/40	35	40	64	80	105	64	65.0	9.0	6-M5
45/50	45	50	70	92	115	70	69.0	10.0	8-M5

