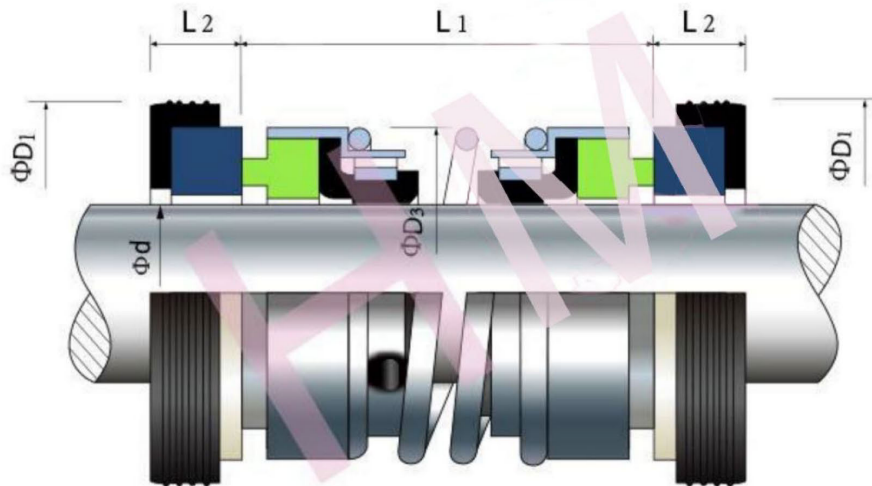


EB-01(260A)



Type : EBARA BEST-,RIGHT- and DW- series pumps
 Replacement: Vulcan 260A
 Temperature: -20°C to +120°C
 Pressure: $\leq 1.0\text{Mpa}$
 Speed: $\leq 15\text{m/s}$
 Material : B,A1,Q1,Q2,U2,P,E,N,V,F,G



d (mm)	D1	D3	L1	L2
14	30	20	26	5
15	30	20	26	5
16	30	20	26	5

