

EB-03(278)



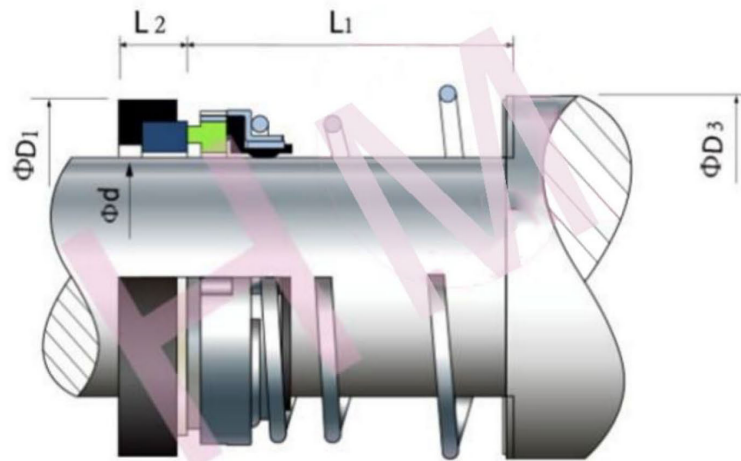
Type: Suit EUREKA CG- series pumps
Replacement: Vulcan 277

Temperature: -20°C to $+120^{\circ}\text{C}$

Pressure: $\leq 1.0\text{Mpa}$

Speed: $\leq 15\text{m/s}$

Material: B,A1,Q1,Q2,U2,P,E,N,V,F,G



d (mm)	D1	D3	L1	L2	O.E.M REF.
29	47.63	46.0	32.0	11.99	CGA
35	53.98	53.0	31.5	11.99	CGB
41	60.35	59.3	32.5	11.99	CGC
48	66.70	66.0	38.5	11.99	CGD
54	73.05	70.0	41.0	13.50	CGE

