

EB-02(198)



Type: EBRABA EVM- and EVMW- series pumps

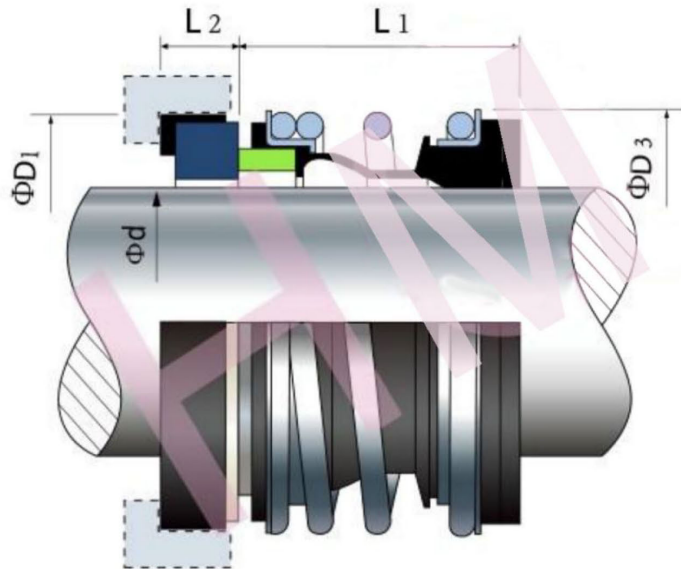
Replacement: Vulcan 198

Temperature: -20°C to $+120^{\circ}\text{C}$

Pressure: $\leq 1.0\text{Mpa}$

Speed: $\leq 15\text{m/s}$

Material: B,A1,Q1,Q2,U2,P,E,N,V,F,G



d	D1	D2	L1	L2
0.500	23	24.0	15.0	8.6
16	26	27.1	17.0	10.0
20	35	36.0	21.5	11.5
28	43	47.0	26.5	10.0

