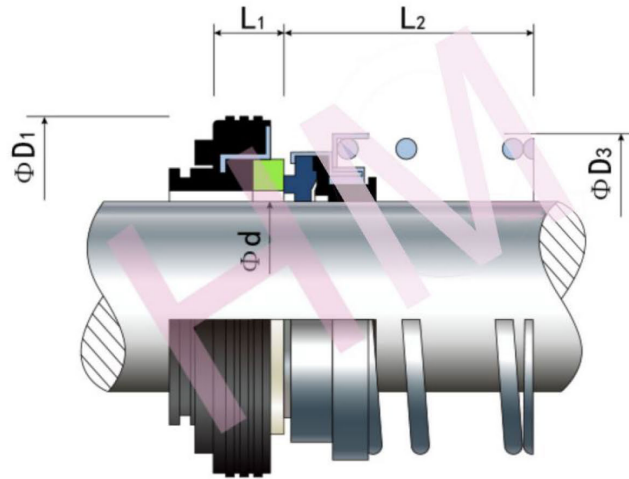


EB-08L



Type: Suit EBARA Pumps
Replacement: Lower Seal, Use together with EB-08U
Temperature: -15 to +180°C
Pressure: $\leq 1.0\text{Mpa}$
Speed: $\leq 15\text{m/s}$
Material: B,A,1,Q1,Q2,U2,P,E,N,V,F,G,Alfa



Suit EBARA TSURUMI PUMP.

d= 40mm/45mm



hengmi@mesal.com