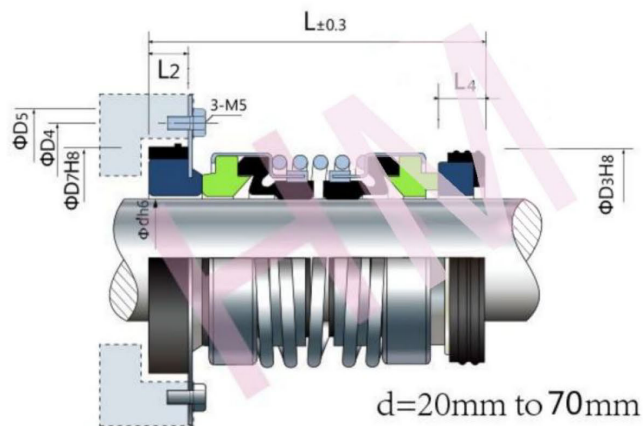
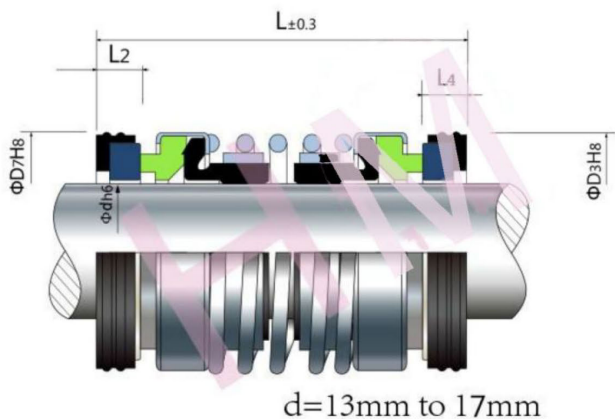


# TS-02(ED560)



Type: Suit for TSURUMI Pumps  
 Replacement: Burgmann ED560, Vulcan 260B  
 Temperature:  $-40^{\circ}\text{C}$  to  $+150^{\circ}\text{C}$   
 Pressure:  $\leq 0.8\text{Mpa}$   
 Speed:  $\leq 10\text{m/s}$   
 Material: B, A1, Q1, Q2, U2, P, E, N, V, F, G



Size (mm)	d	D3	D4	D5	D7	L	L2	L4
13	13	25	/	/	25	36	5.0	5.0
14	14	30	/	/	30	36	5.0	5.0
15	15	30	/	/	30	34/36	4/5.0	4/5.0
16	16	30	/	/	30	34/36	4/5.0	4/5.0
17	17	33	/	/	33	36	5.0	5.0
20	20	38	(50)/60	(62)/72	(38)/44	50	7.5	7.5
25	25	44	60	72	50	51	8.0	7.5
30	30	44/50	(60)/70	(72)/80	(50)/57	59	9.0	8.5
35	35	58	(70)/80	(82)/92	(58)/64	61	9.0	10.0
40	40	64	85	100	70	65	11.0	10.0
45	45	66	85	100	70	65	10.0	9.0
50	50	72	95	109	80	69	10.0	10.0
60	60	80	105	120	95	85	13.0	14.0
70	70	95	120	135	105	85	13.0	14.0