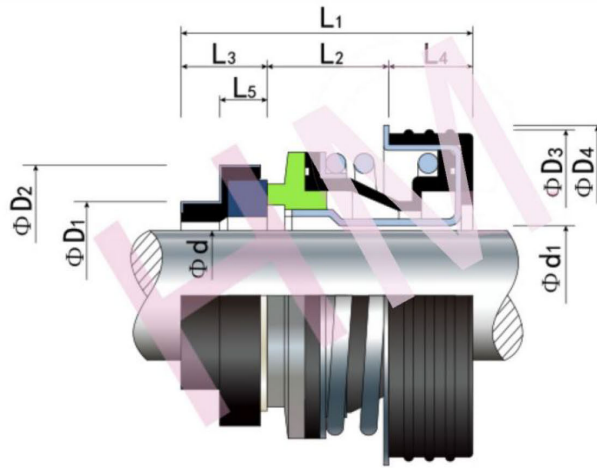


EB-08U



Type: Auto Cooling Pump Seal, Suit EBARA Pumps
 Replacement: Upper seal, Use together with EB-09L
 Temperature: -20 to +180°C
 Pressure: $\leq 1.0\text{Mpa}$
 Speed: $\leq 15\text{m/s}$
 Material: Q1, Q2, U2, T, V, M1, F, G, M



d (mm)	d1	D1	D2	D3	D4	L1	L2	L3	L4	L5
16	18.2	23.0	33.0	41	41.5	26.5	7.5	10	9.0	5.0
20	21.2	27.0	38.0	45	43.8	29.0	7.0	10	12.0	5.0
25	26.4	30.5	47.0	52	51.0	34.5	7.0	13	14.5	8.5
40	41.2	50.5	65.0	75	75.0	48.6	12.0	21	15.6	13.0
45	46.3	55.5	73.8	80	80.0	53.0	16.0	21	16.0	13.0

