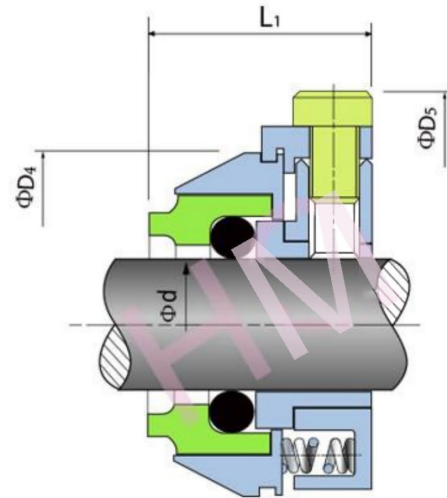


EMU-05(CS)



Type: Suit for EMU Pumps and MIXERS
 Replacement: AES CS
 Temperature: -50°C to +204°C
 Pressure: ≤1.1Mpa
 Speed: ≤15m/s
 Material: B,V,E,P,K,F,G

d	L1	D4	D5
20	27.91	45.3	59.8
22	27.91	47.3	61.8
24	27.9	49.3	63.8
25	27.9	50.3	64.8
28	27.91	53.3	67.8
30	27.91	55.3	69.8
32	27.91	57.3	71.8
33	27.9	58.3	72.8
35	27.91	60.3	74.8
38	27.91	63.3	77.8
40	27.91	65.3	79.8
42	27.9	67.3	81.8
43	27.9	68.3	82.8
45	27.91	70.3	84.8
48	27.91	73.3	87.8
50	27.9	75.3	89.8
53	27.91	78.3	92.8
55	27.9	80.3	94.8
60	27.9	85.3	99.7
65	30.3	96.5	111
70	30.28	101.5	116
75	30.28	106.5	121
80	30.28	111.5	126
85	30.28	116.5	131
90	30.28	121.5	136
95	30.3	126.5	141
100	30.28	131.5	146

d	L1	D4	D5
0.625	1.098	1.622	2.192
0.75	1.098	1.747	2.317
0.875	1.098	1.872	2.442
1	1.098	1.997	2.567
1.125	1.098	2.122	2.692
1.25	1.098	2.247	2.817
1.375	1.098	2.372	2.942
1.5	1.098	2.497	2.067
1.625	1.098	2.622	3.192
1.75	1.098	2.747	3.317
1.875	1.098	2.872	3.442
2	1.098	2.997	3.567
2.125	1.098	3.122	3.692
2.25	1.098	3.247	3.817
2.375	1.098	3.372	3.942
2.5	1.098	3.497	4.067
2.625	1.192	3.866	4.436
2.75	1.192	3.991	4.561
2.875	1.192	4.116	4.686
3	1.192	4.241	4.811
3.125	1.192	4.366	4.936
3.25	1.192	4.491	5.061
3.375	1.192	4.616	5.186
3.5	1.192	4.741	5.311
3.625	1.192	4.866	5.436
3.75	1.192	4.991	5.561
3.875	1.192	5.116	5.686
4	1.192	5.241	5.811

d (Inch)	L1	D4	D5
0.625	1.098	1.622	2.192
0.75	1.098	1.747	2.317
0.875	1.098	1.872	2.442
1	1.098	1.997	2.567
1.125	1.098	2.122	2.692
1.25	1.098	2.247	2.817
1.375	1.098	2.372	2.942
1.5	1.098	2.497	2.067
1.625	1.098	2.622	3.192
1.75	1.098	2.747	3.317
1.875	1.098	2.872	3.442
2	1.098	2.997	3.567
2.125	1.098	3.122	3.692
2.25	1.098	3.247	3.817
2.375	1.098	3.372	3.942
2.5	1.098	3.497	4.067
2.625	1.192	3.866	4.436
2.75	1.192	3.991	4.561
2.875	1.192	4.116	4.686
3	1.192	4.241	4.811
3.125	1.192	4.366	4.936
3.25	1.192	4.491	5.061
3.375	1.192	4.616	5.186
3.5	1.192	4.741	5.311
3.625	1.192	4.866	5.436
3.75	1.192	4.991	5.561
3.875	1.192	5.116	5.686
4	1.192	5.241	5.811