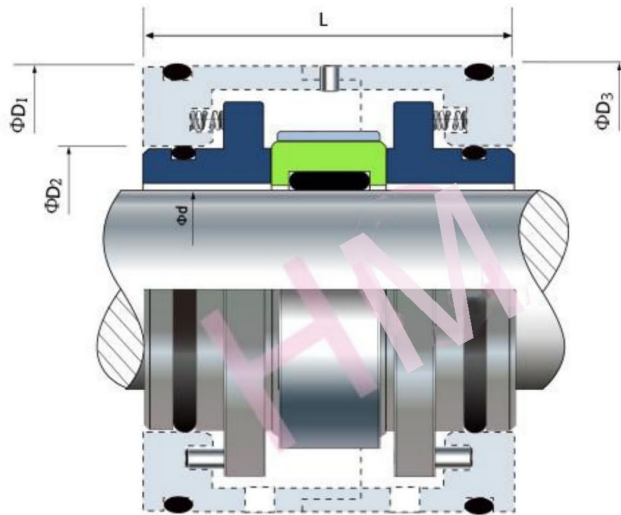


EMU-03 (1640/1642)



Type: Suit for EMU/Wilo Submersible Pump and MIXERS
 Replacement: Vulcan1640/1642, AES SOE
 Temperature : -40°C to +204°C
 Pressure : ≤ 1.1 Mpa
 Speed: ≤ 15 m/s
 Material : B, A1, Q1, Q2, U2, P, E, N, V, F, G



Vulcan 1640

d (mm)	D1	D2	D3	L
35	72	47	72	47
50	92	63	90	52
75	130	95	128	75

Vulcan 1642

d (mm)	D1	D2	D3	L
35	72	49	72	47
50	92	65	90	52